



Do you need more help?



Scan QR or visit: www.hama.com

➔ 🔍 ➔ 00220806 ➔ Downloads



hama

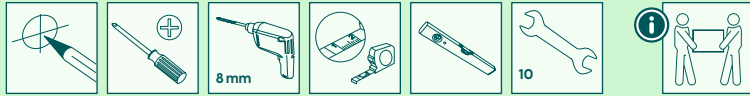
We are so happy you chose a hama product.

Enjoy using it!



Quick Installation Guide

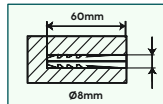
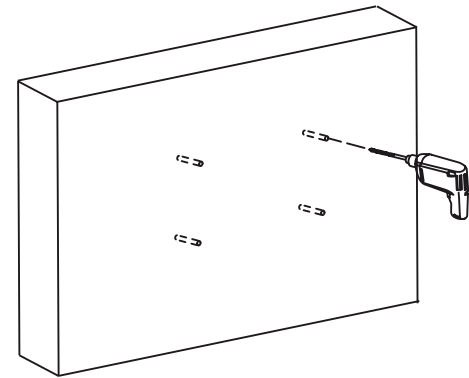
Required tools



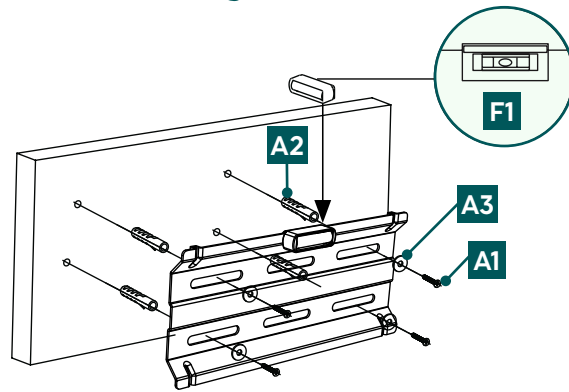
Installation kit

A1		6x50 (x4)	D1		M8x12 (x4)
A2		Ø8x50 (x4)	D2		M8x20 (x4)
A3		M6 (x4)	D3		M8x30 (x4)
B1		M6 (x4)	E1		M4x12 (x4)
B2		Ø8x10 (x4)	E2		M4x20 (x4)
B3		Ø8x20 (x4)	E3		M4x45 (x4)
C1		M6x12 (x4)	F1		(x1)
C2		M6x20 (x4)			

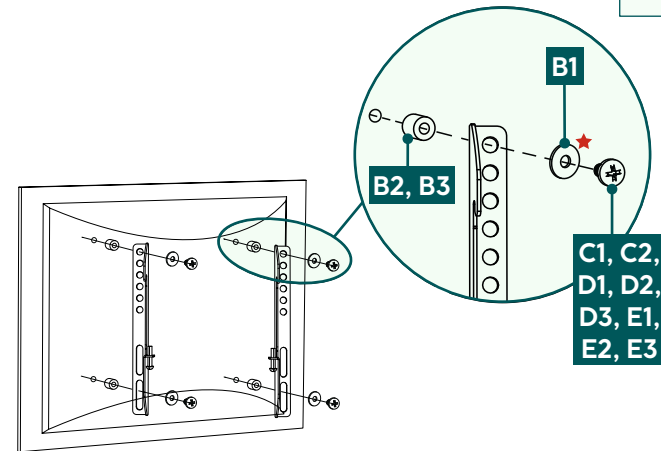
1 Drilling the holes



2 Wall mounting the the bracket



3 Mounting on backside of the TV



Flat TV backside

C1, D1, E1, E3 + B1

+ +

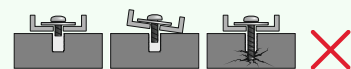
Curved TV backside

C2, D2, E2, E3 + B1 + B2

+ +

D3, E3 + B3

+



★ You do not need a washer for the D-screws

4 Adjustment & Fixing

