

We are so happy you chose a  
hama product.

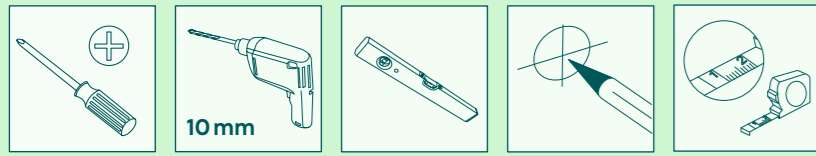
***Enjoy using it!***

***hama***



# Quick Installation Guide

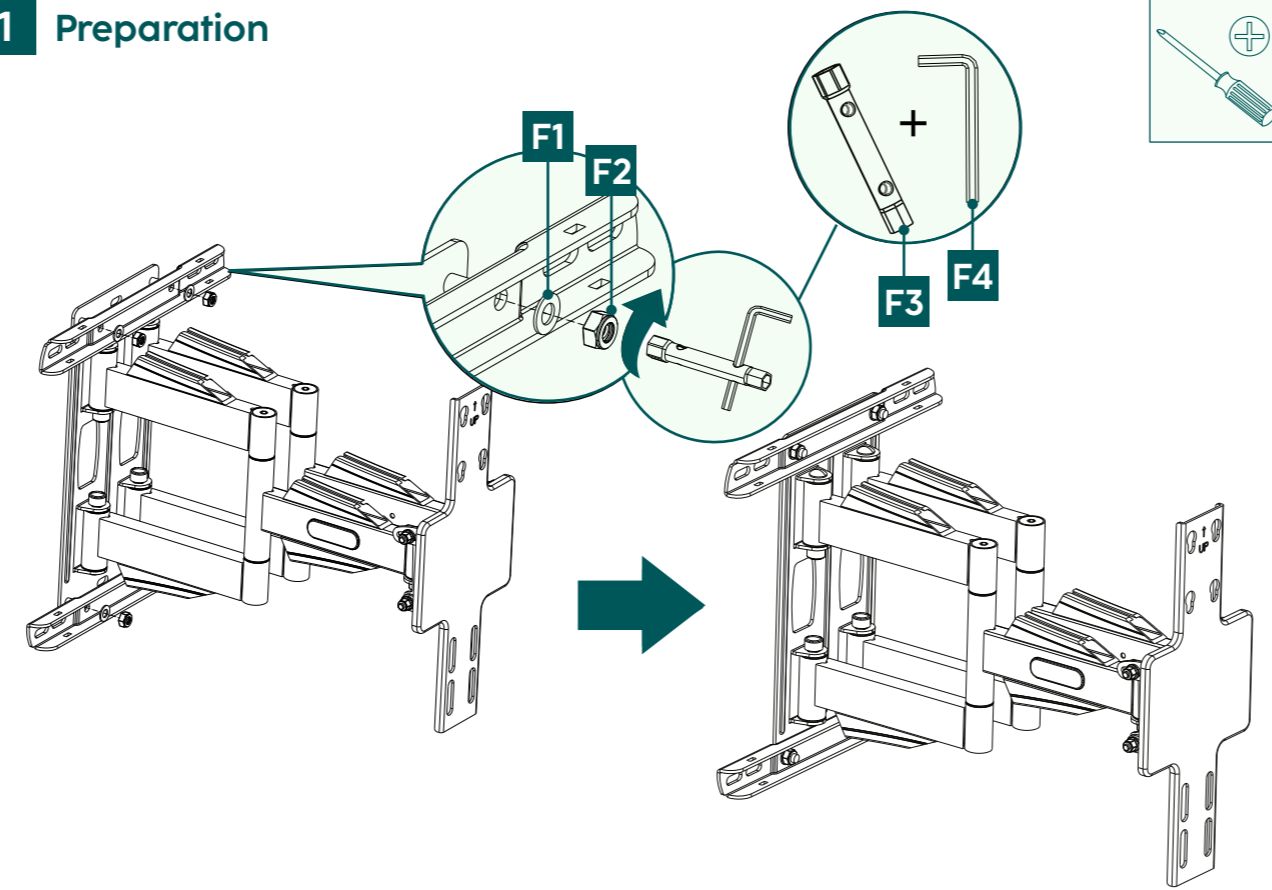
## Required tools



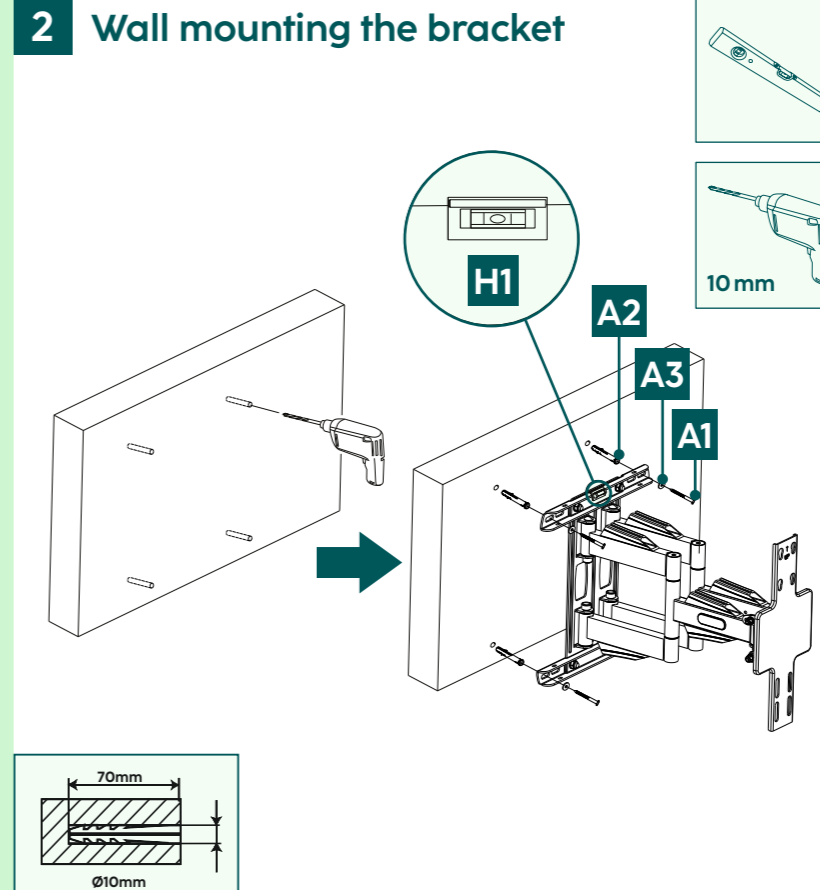
## Installation kit

<b>A1</b>		8x60 (x4)	<b>F1</b>		Ø8,5 (x4)
<b>A2</b>		Ø10x60 (x4)	<b>F2</b>		M8 (x4)
<b>A3</b>		M8 (x4)	<b>F3</b>		M8, M6 (x1)
<b>B1</b>		M6 (x4)	<b>F4</b>		6x6 (x1)
<b>B2</b>		Ø8x10 (x4)	<b>F5</b>		4x4 (x1)
<b>B3</b>		Ø8x20 (x4)	<b>G1</b>		Ø8,5 (x4)
<b>C1</b>		M6x12 (x4)	<b>G2</b>		M8 (x4)
<b>C2</b>		M6x20 (x4)	<b>H1</b>		(x1)
<b>D1</b>		M8x12 (x4)	<b>H2</b>		M6x6 (x4)
<b>D2</b>		M8x20 (x4)			
<b>D3</b>		M8x30 (x4)			
<b>D4</b>		M8x50 (x4)			

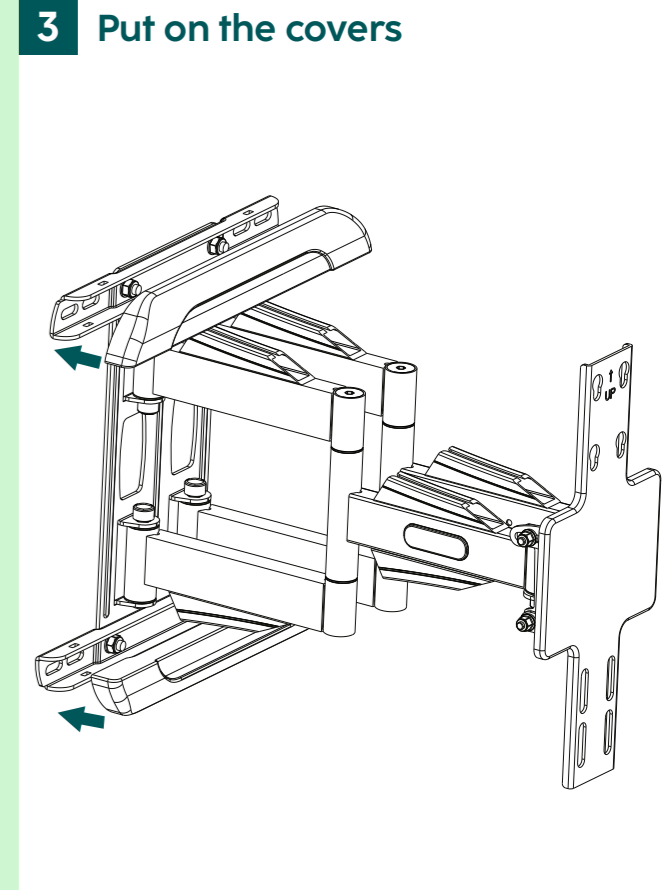
### 1 Preparation



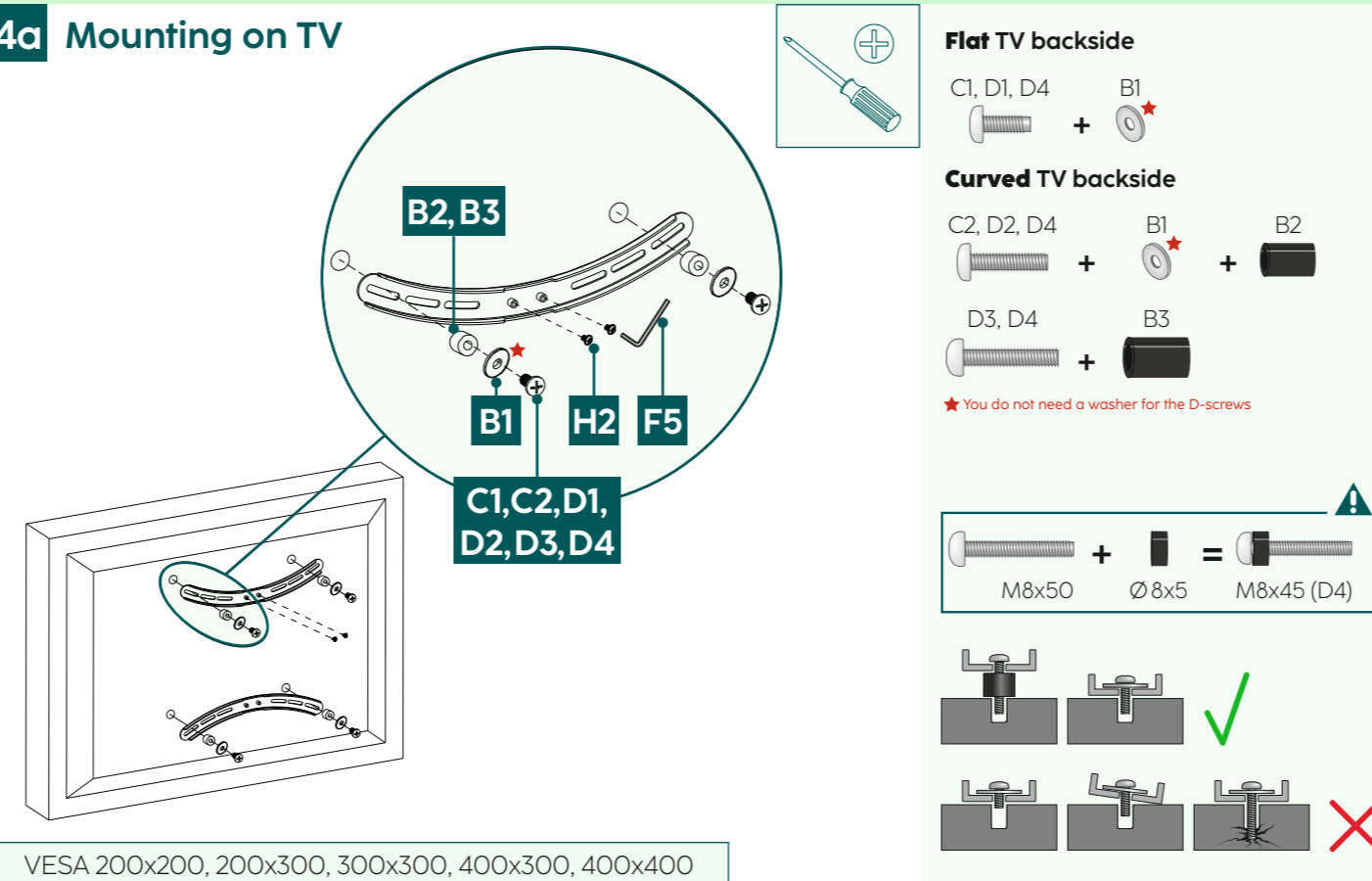
### 2 Wall mounting the bracket



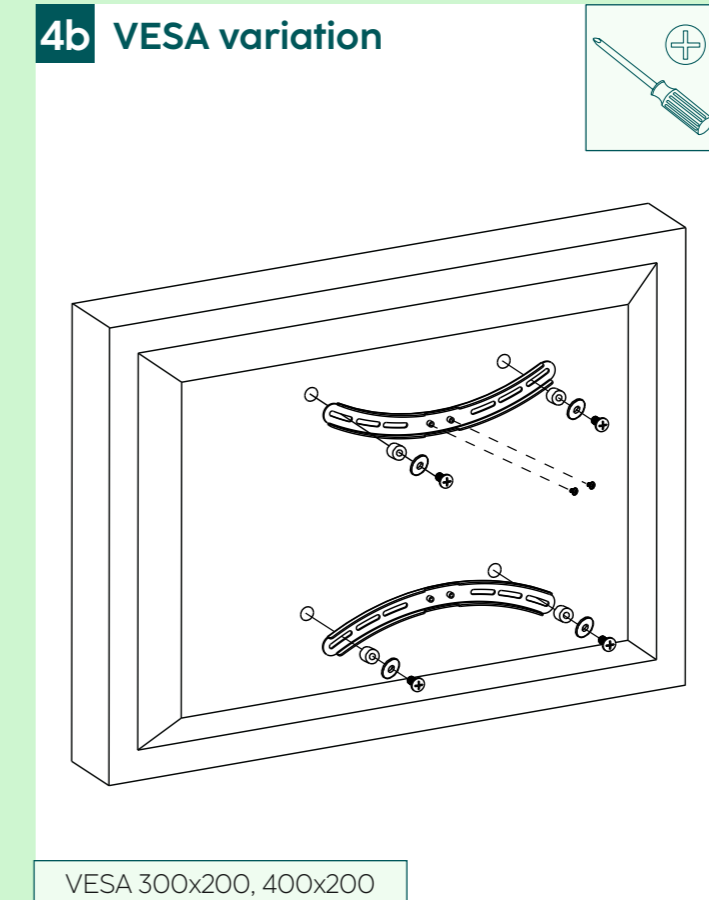
### 3 Put on the covers



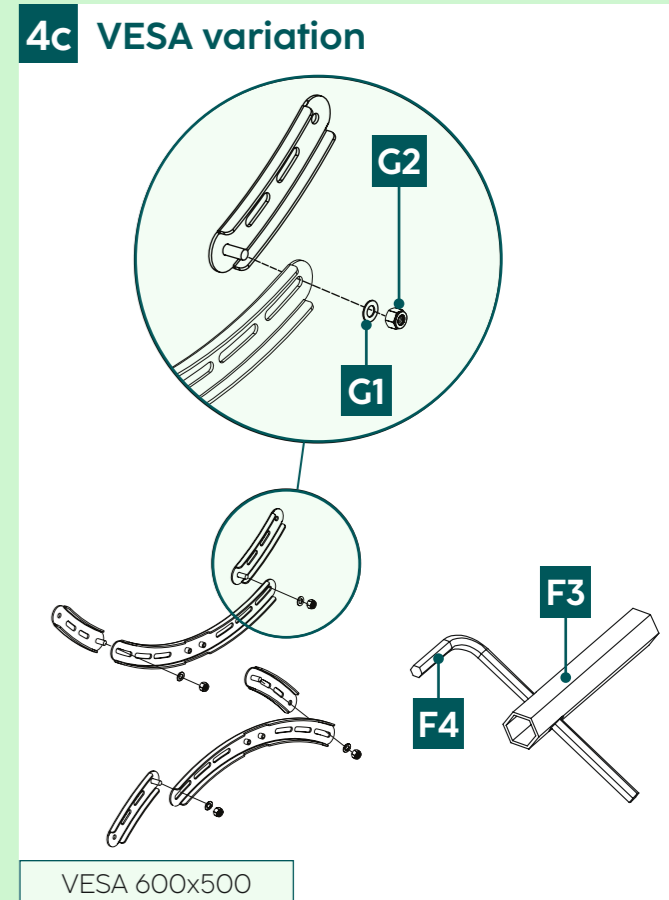
### 4a Mounting on TV



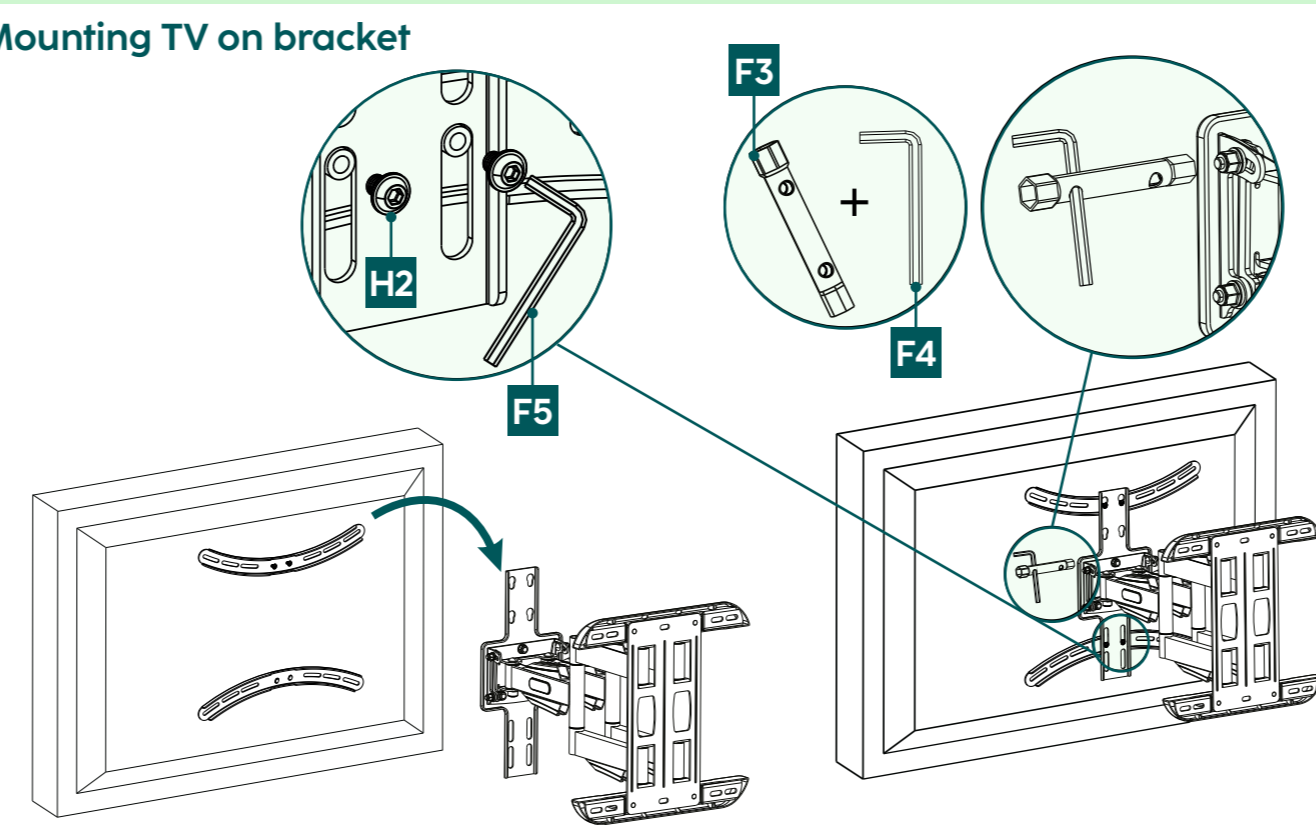
### 4b VESA variation



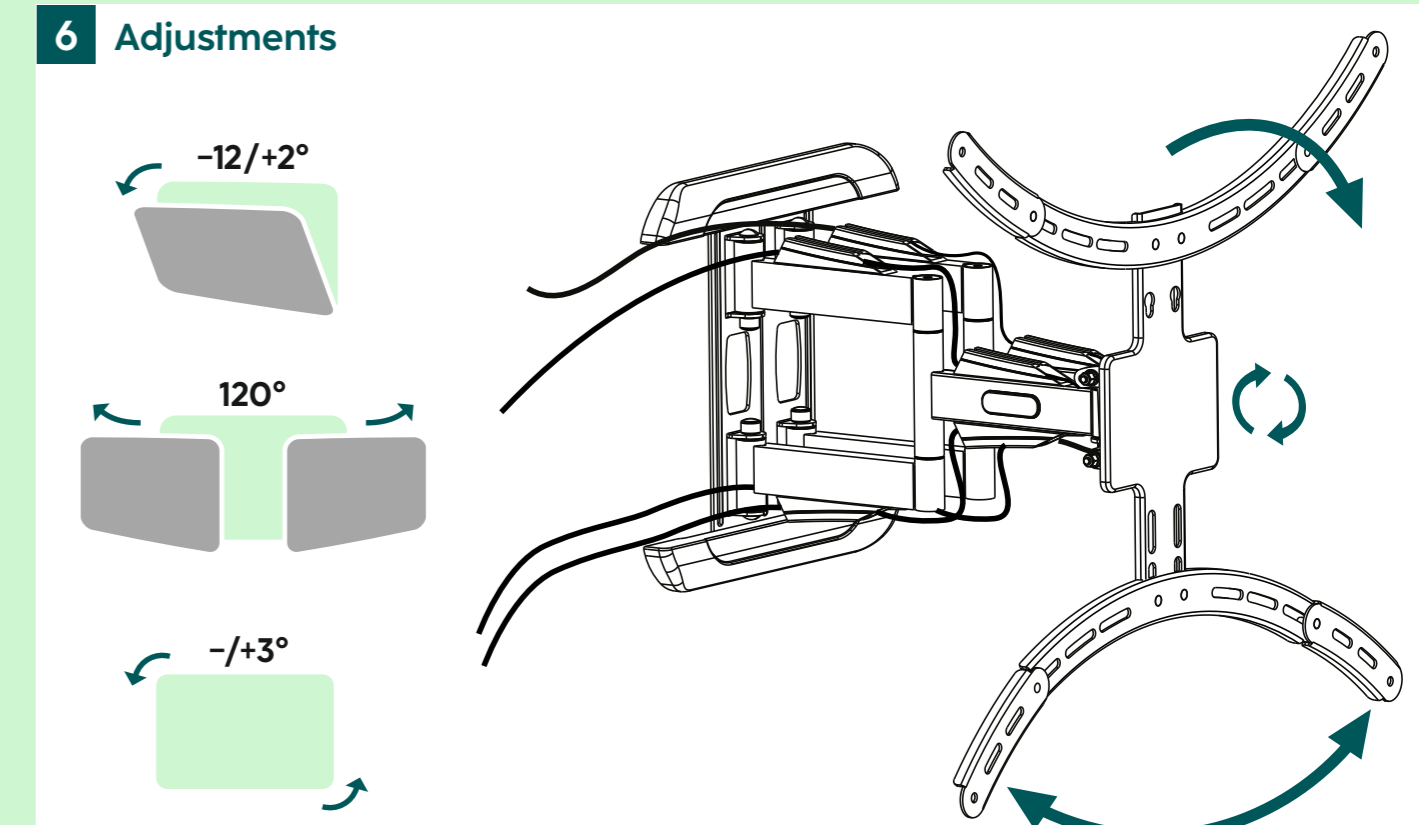
### 4c VESA variation



### 5 Mounting TV on bracket



### 6 Adjustments



??  
**Do you need more help?**



Scan QR or visit: [www.hama.com](http://www.hama.com)  
➔ 00220837 ➔ Downloads

