

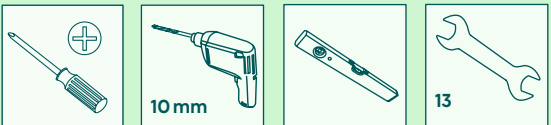
We are so happy you chose a
hama product.

Enjoy using it!



Quick Installation Guide

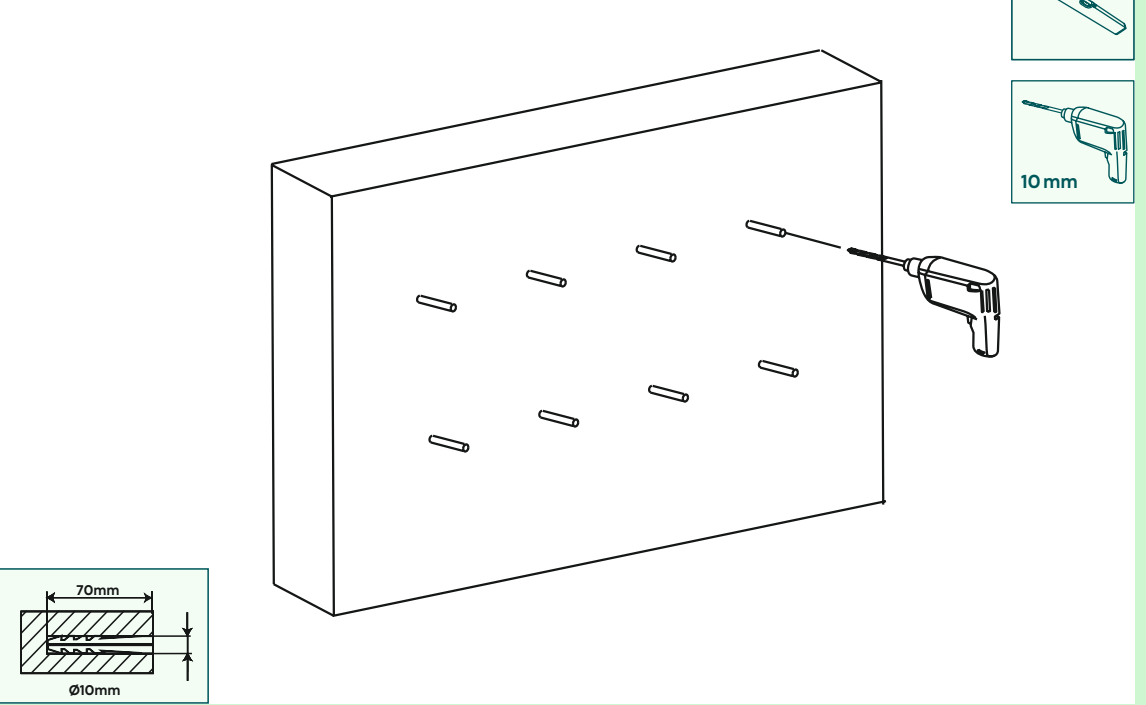
Required tools



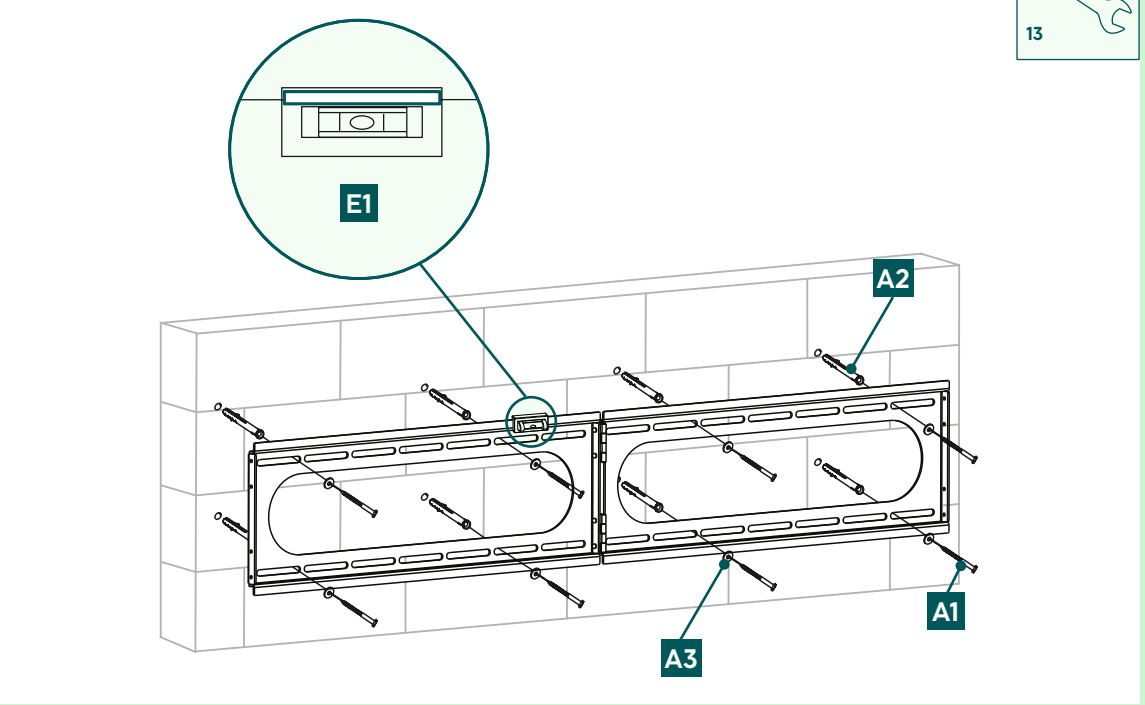
Installation kit

A1		8x60 (x8)	C2		M6x20 (x4)
A2		Ø10x60 (x8)	D1		M8x12 (x4)
A3		M8 (x8)	D2		M8x20 (x4)
B1		M6 (x4)	D3		M8x30 (x4)
B2		Ø8x10 (x4)	D4		M8x50 (x4)
B3		Ø8x20 (x4)	E1		(x1)
C1		M6x12 (x4)			

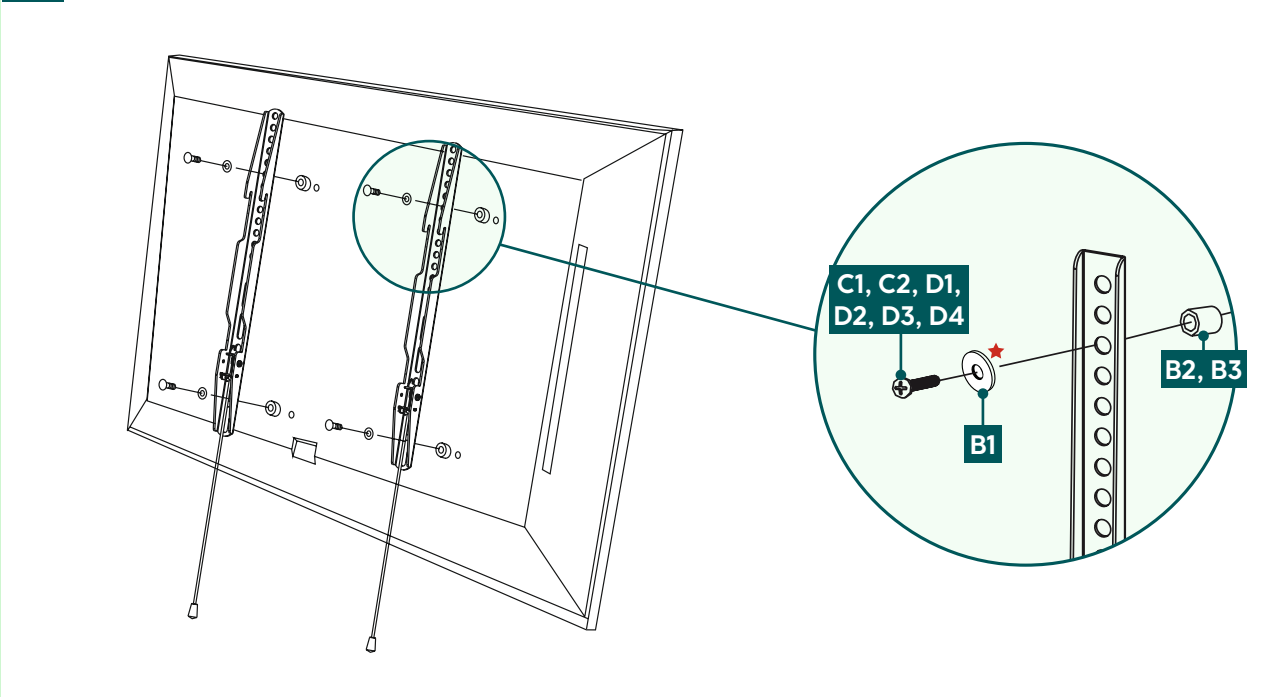
1 Drilling the holes



2 Wall mounting the bracket



3 Mounting on the TV



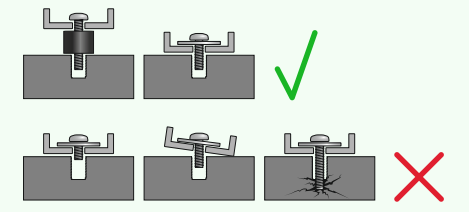
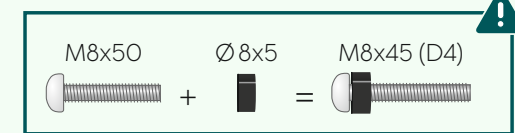
Flat TV backside

C1, D1, D4 + B1

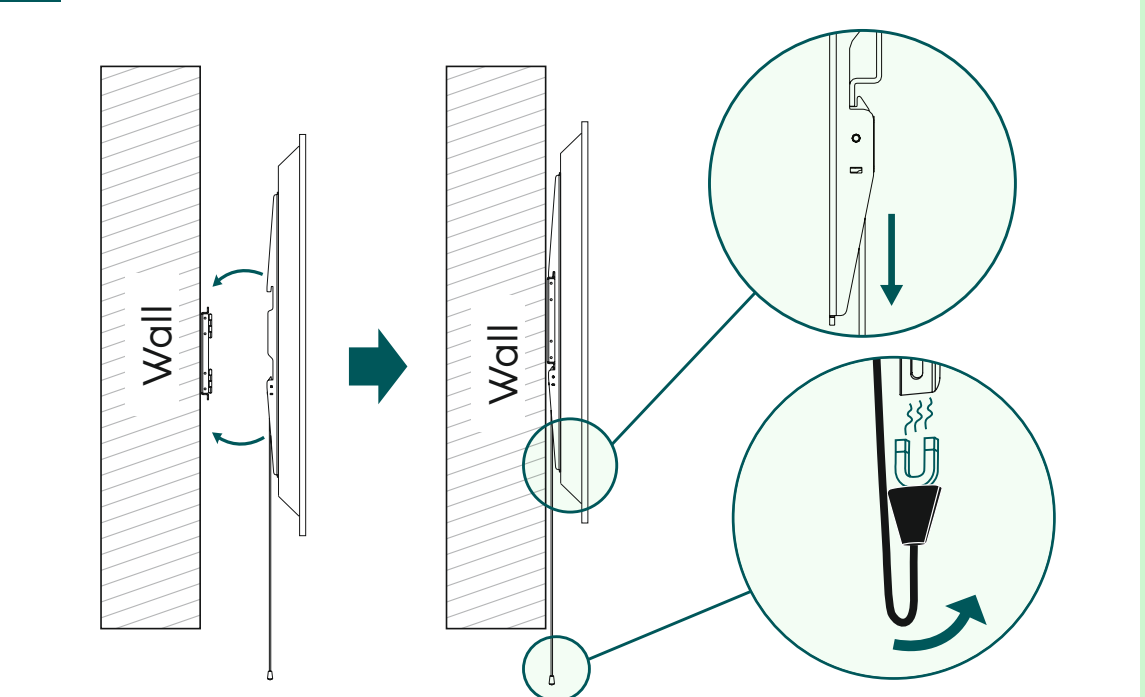
C2, D2, D4 + B1 + B2

D3, D4 + B3

★ You do not need a washer for the D-screws



4 Mounting TV on bracket



Do you need more help?



Scan QR or visit: www.hama.com
 ➔ 🔍 ➔ 00220843 ➔ Downloads