

We are so happy you chose a  
hama product.

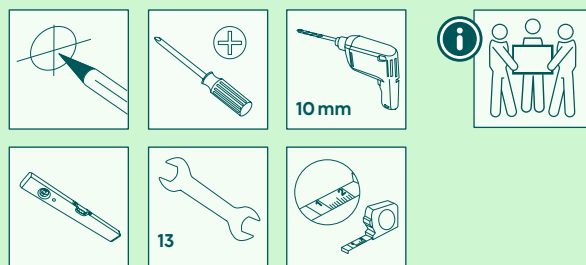
***Enjoy using it!***

***hama***



# Quick Installation Guide

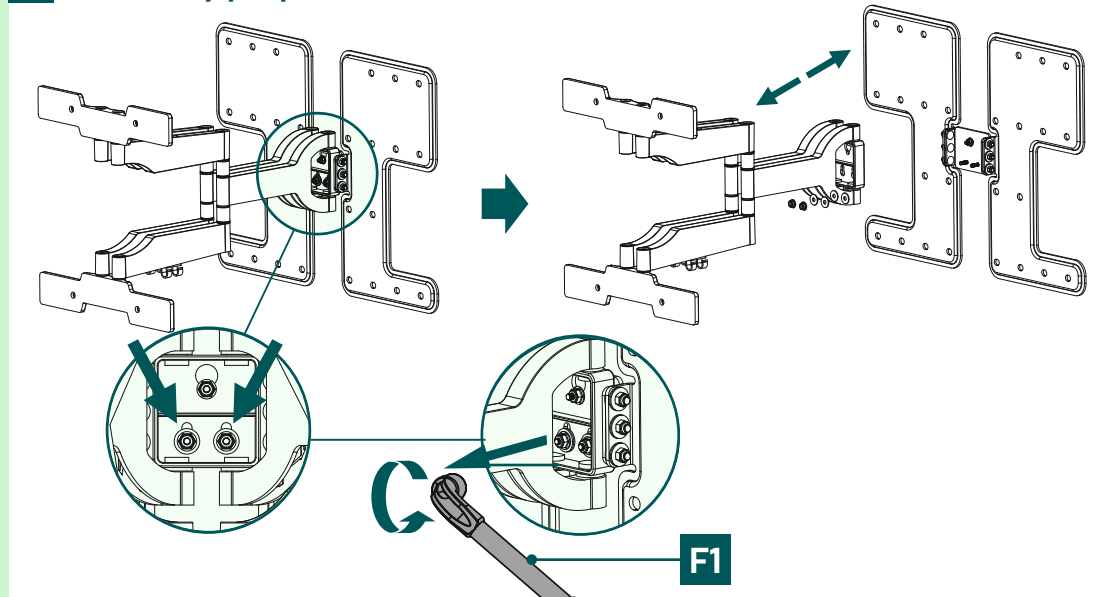
## Required tools



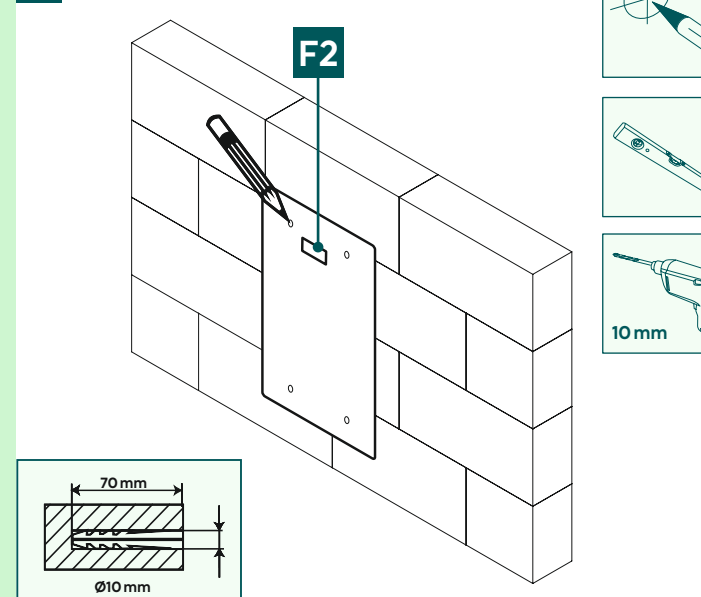
## Installation kit

<b>A1</b>		8x65 (x4)
<b>A2</b>		Ø10x60 (x4)
<b>A3</b>		M8 (x4)
<b>B1</b>		M6 (x4)
<b>B2</b>		Ø8x10 (x4)
<b>B3</b>		Ø8x20 (x4)
<b>C1</b>		M6x12 (x4)
<b>C2</b>		M6x20 (x4)
<b>D1</b>		M8x12 (x4)
<b>D2</b>		M8x20 (x4)
<b>D3</b>		M8x30 (x4)
<b>D4</b>		M8x50 (x4)
<b>F1</b>		(x1)
<b>F2</b>		(x1)
<b>F3</b>		(x4)
<b>F4</b>		(x8)
<b>F5</b>		(x2)
<b>F6</b>		(x2)
<b>F7</b>		(x1)

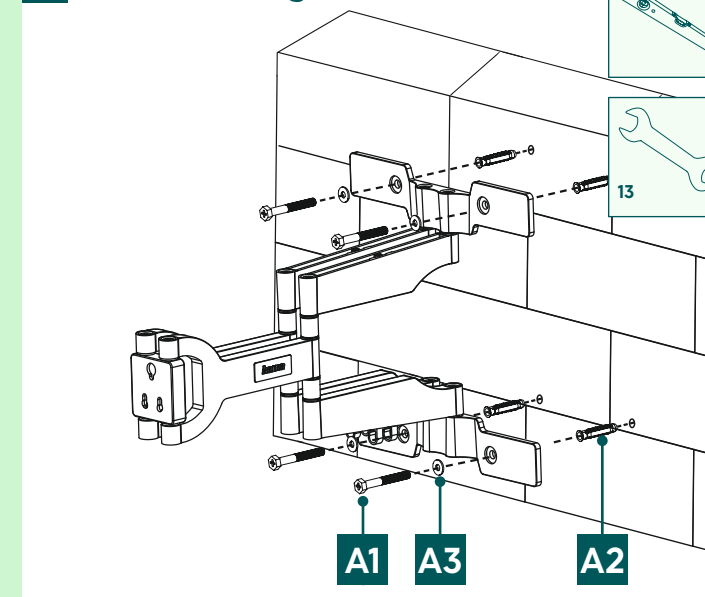
## 1 Assembly preparation



## 2 Mark drill holes

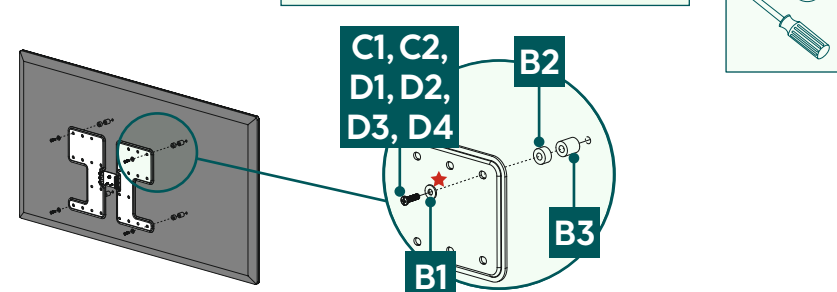


## 3 Wall mounting the bracket



## 4a Mounting on TV

VESA 100x100, 100x200, 200x100, 200x200, 200x300, 300x200, 300x300, 400x300



### Flat TV backside

C1, D1, D4 + B1

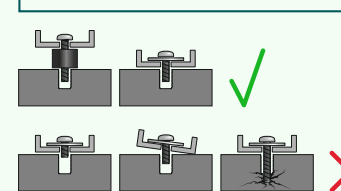
### Curved TV backside

C2, D2, D4 + B1 + B2

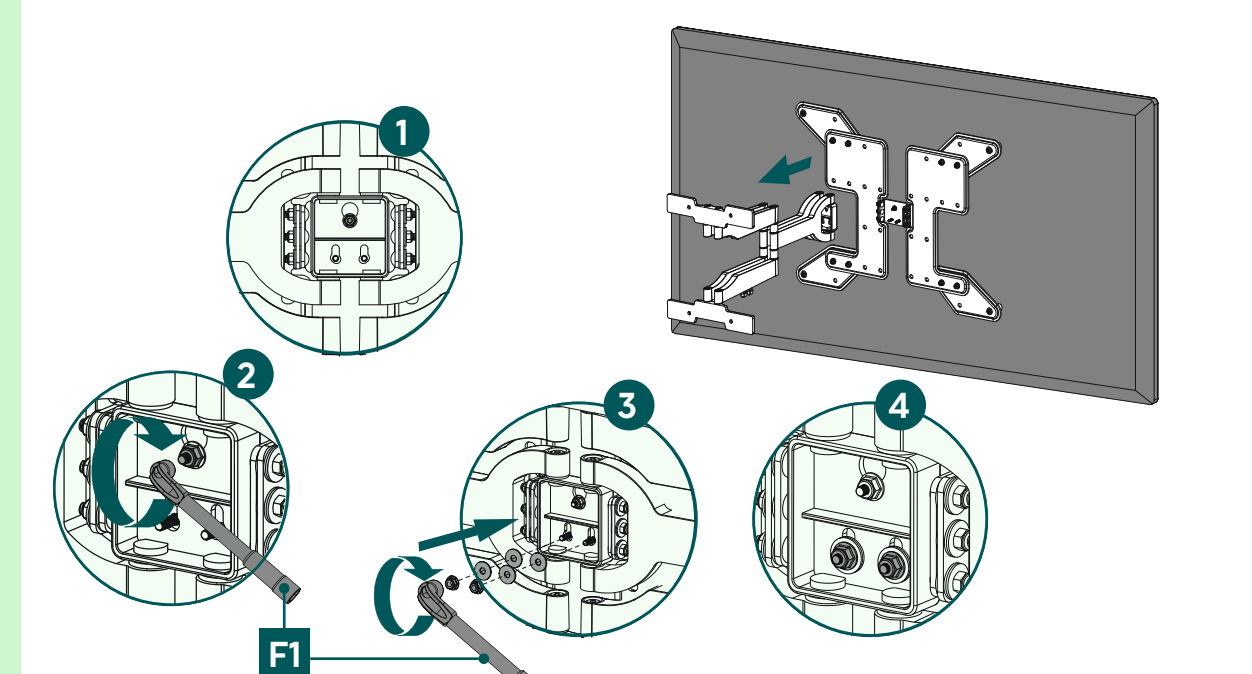
D3, D4 + B3

★ You do not need a washer for the D-screws

M8x50 + Ø8x5 = M8x45 (D4)

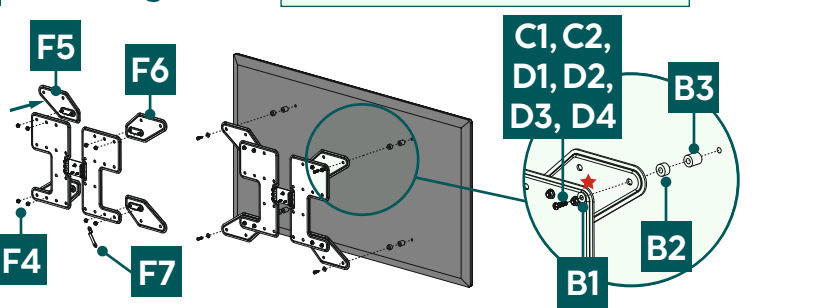


## 5 Mounting TV on bracket

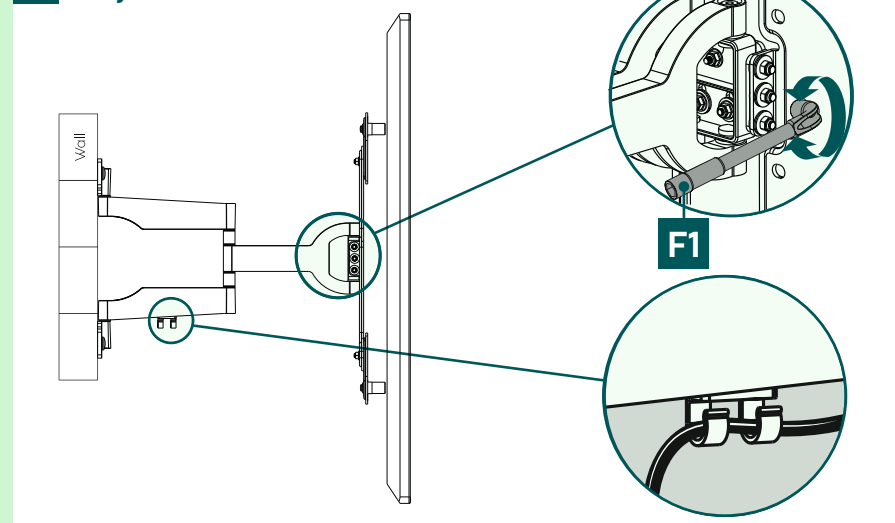


## 4b Mounting on TV

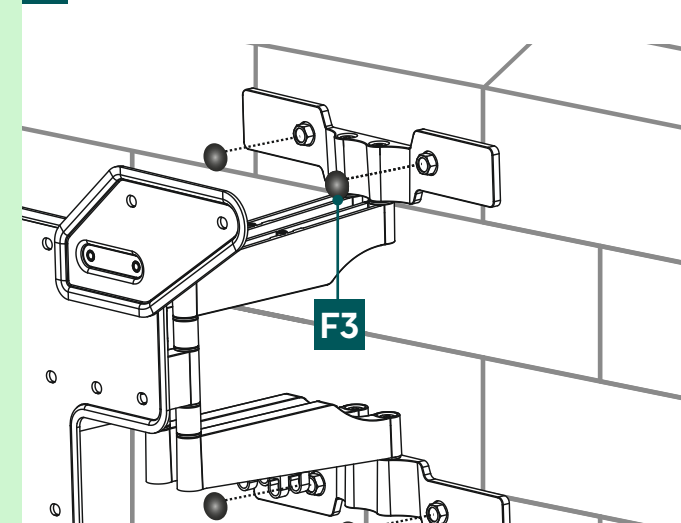
VESA 400x400, 600x400



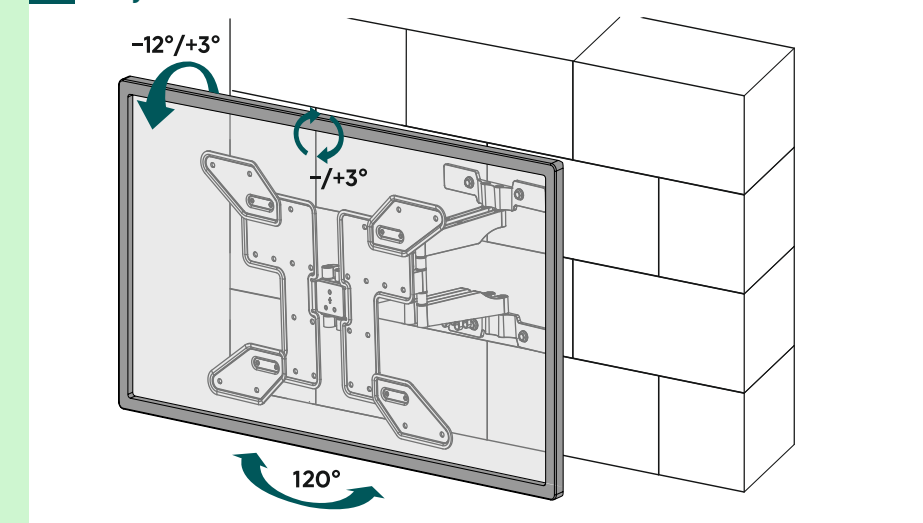
## 6 Adjustments



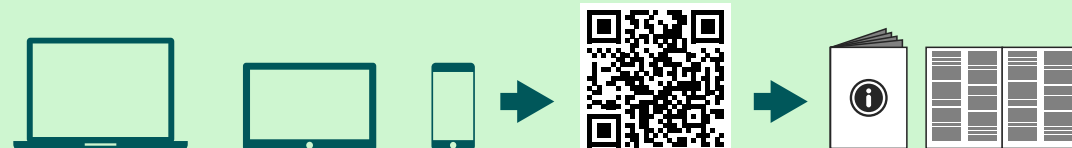
## 7 Put on covers



## 8 Adjustments



Do you need more help?



Scan QR or visit:  
[support.hama.com/00220852](http://support.hama.com/00220852)

