

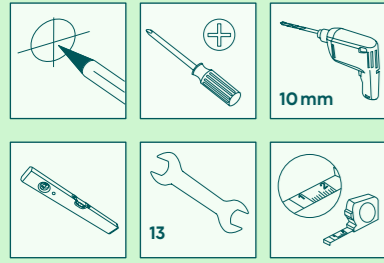
We are so happy you chose a
hama product.

Enjoy using it!



Quick Installation Guide

Required tools



Installation kit

A1		8x65 (x5)	D3		M8x30 (x4)
A2		Ø10x60 (x5)	D4		M8x50 (x4)
A3		M8 (x5)	E1		M4x12 (x4)
B1		M6/M8 (x4)	E2		M4x20 (x4)
B2		Ø8x10 (x4)	F1		(x1)
B3		Ø8x20 (x4)	G1		(x2)
C1		M6x12 (x4)	G2		(x4)
C2		M6x20 (x4)	H1		(x2)
D1		M8x12 (x4)	H2		(x2)
D2		M8x20 (x4)			

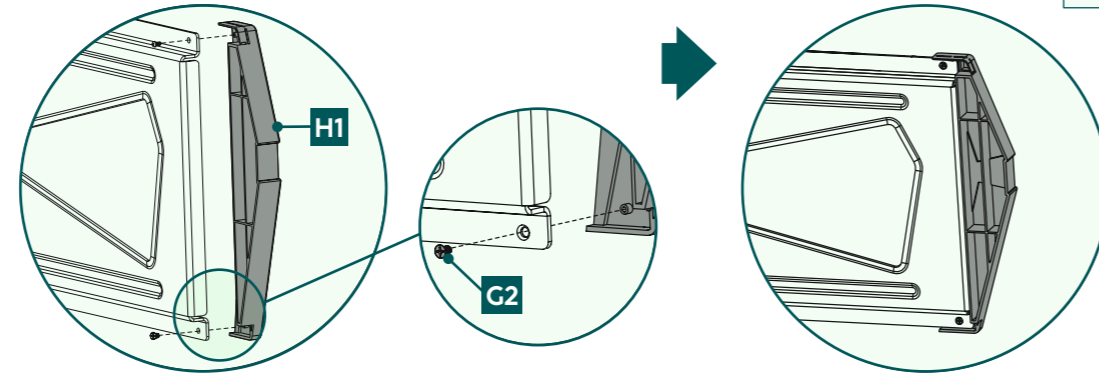
Do you need more help?



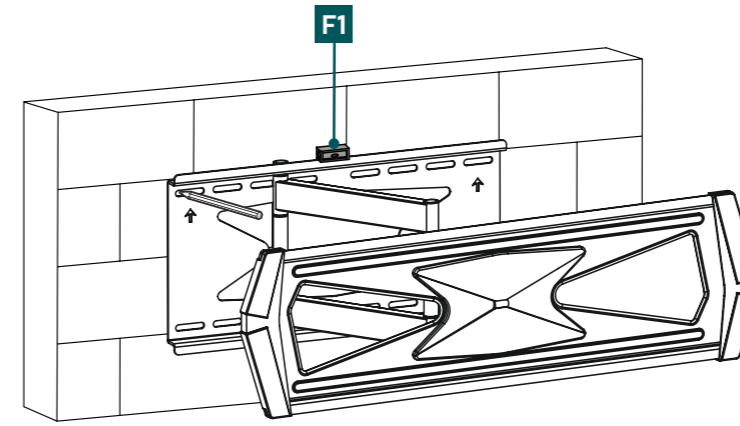
Scan QR or visit: support.hama.com/00220870



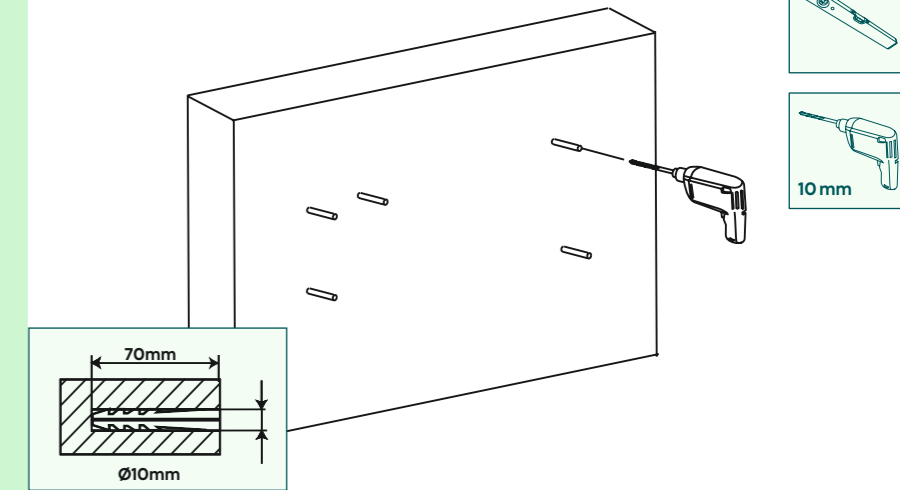
1 Preparing the bracket



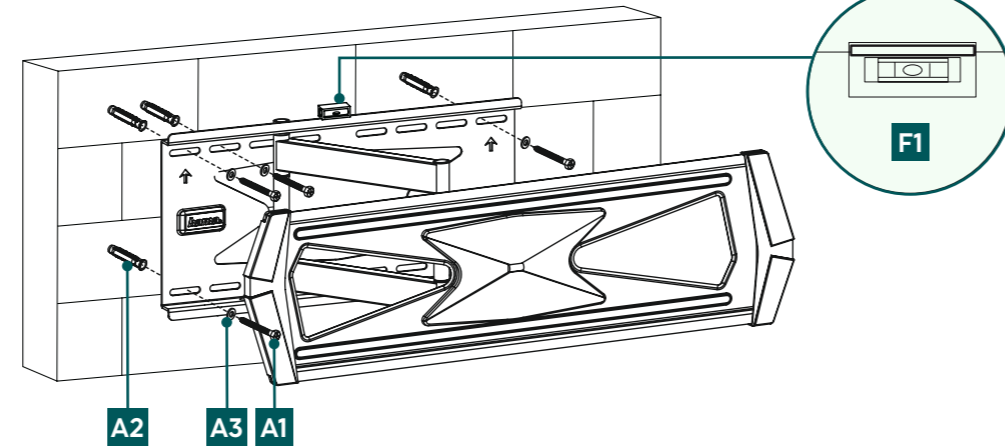
2 Mark drill holes



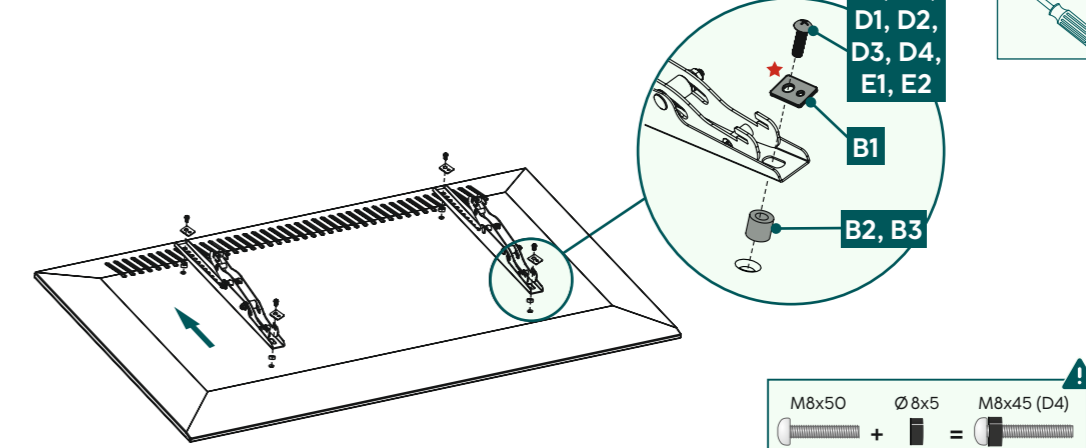
3 Drilling the holes



4 Wall mounting the bracket



5 Mounting on TV



Flat TV backside

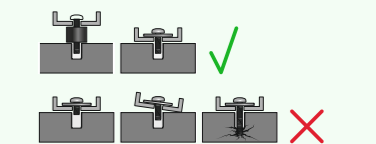
C1, D1, D4, E1 + B1

Curved TV backside

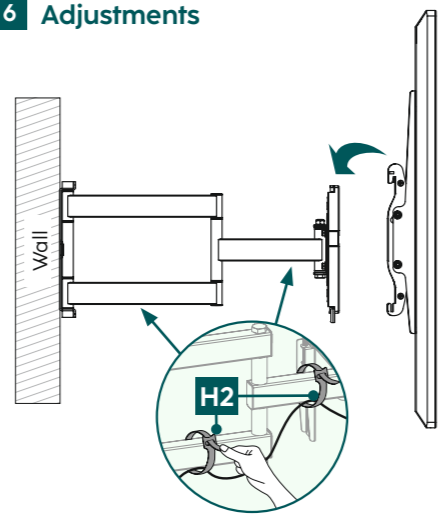
C2, D2, D4, E2 + B1 + B2

D3, D4 + B3

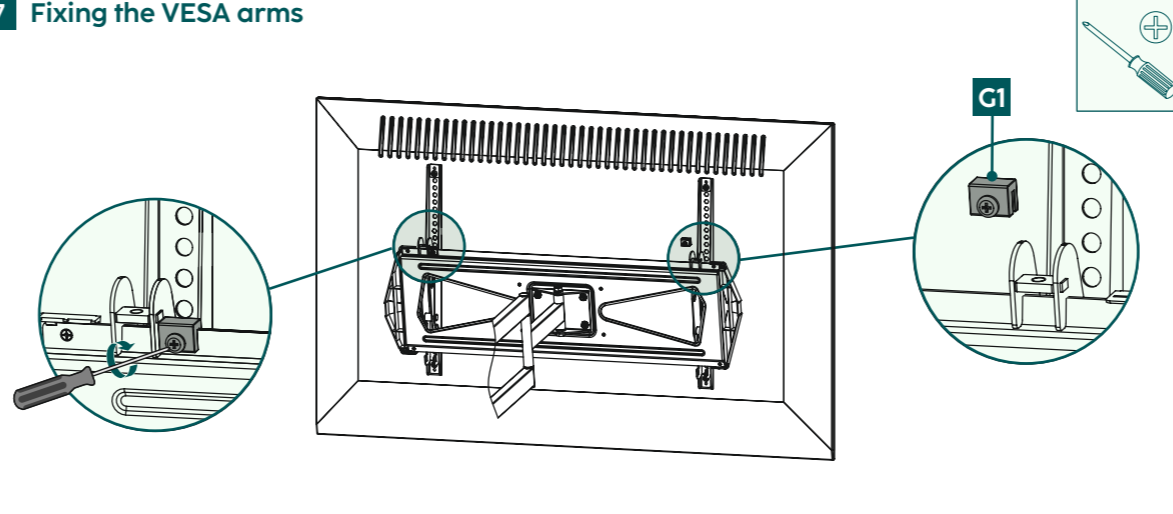
★ You do not need a washer for the D-screws



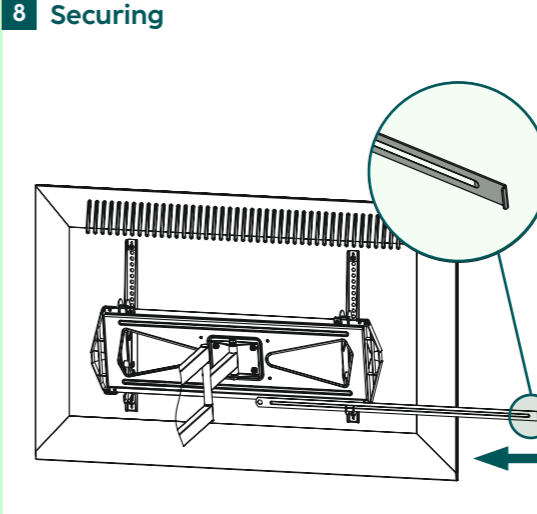
6 Adjustments



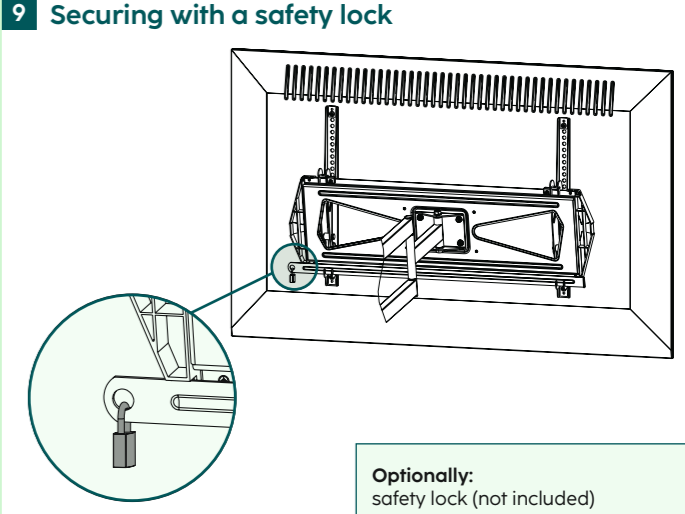
7 Fixing the VESA arms



8 Securing



9 Securing with a safety lock



Optionally:
safety lock (not included)